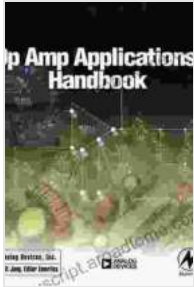


# Unlock the Power of Op Amps: A Comprehensive Guide for Analog Circuit Design



## Op Amp Applications Handbook (Analog Devices Series) by Walt Jung

★★★★☆ 4 out of 5

Language : English  
File size : 26838 KB  
Text-to-Speech : Enabled  
Screen Reader : Supported  
Enhanced typesetting : Enabled  
Print length : 896 pages



## Introducing 'Op Amp Applications Handbook: Analog Devices Series'

Are you an engineer or student eager to master analog circuit design? Look no further than 'Op Amp Applications Handbook: Analog Devices Series'. This authoritative resource is your gateway to a comprehensive understanding of operational amplifier (op amp) applications, empowering you to design innovative and cutting-edge electronic circuits.

Authored by a team of renowned experts from Analog Devices, this handbook delves deeply into the theory, design, and implementation of op amps. With over 1,000 pages of in-depth knowledge, it covers a vast spectrum of topics, from basic principles to advanced applications.

## Key Features and Benefits

- **Comprehensive Coverage:** This handbook encompasses a wide range of op amp applications, including amplifiers, filters, oscillators, and signal conditioners.
- **Authoritative Expertise:** Written by industry-leading experts, the information presented is accurate, reliable, and up-to-date.
- **Practical Examples:** Numerous real-world examples and design case studies illustrate the practical application of op amp circuits.
- **In-Depth Analysis:** Detailed explanations and mathematical derivations provide a thorough understanding of op amp behavior.
- **Valuable Resources:** The handbook also includes a glossary of terms, a list of acronyms, and a comprehensive index for easy reference.

## Who Should Read This Handbook?

This handbook is an invaluable resource for anyone involved in analog circuit design, including:

- **Engineers:** Electrical engineers, electronics engineers, and circuit designers will find this handbook essential for their daily work.
- **Students:** Engineering students studying analog electronics or circuit design will benefit greatly from the comprehensive coverage and practical examples.
- **Hobbyists:** Electronics enthusiasts and hobbyists interested in building and experimenting with analog circuits will find this handbook a valuable guide.

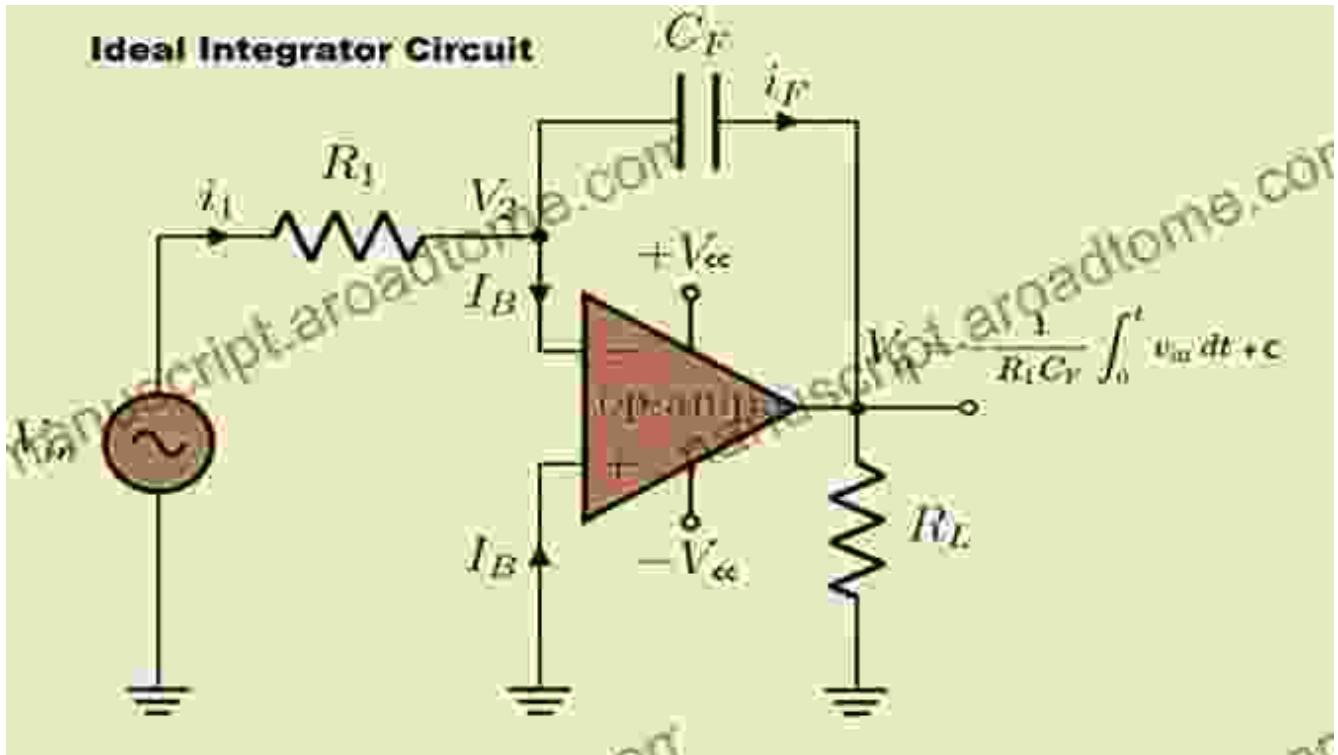
## Applications and Design Considerations

The 'Op Amp Applications Handbook' covers a wide range of applications, including:

- **Amplifiers:** Op amps are used to amplify voltage or current signals, increasing their strength and range.
- **Filters:** Op amps can be used to design active filters that remove or emphasize specific frequency ranges.
- **Oscillators:** Op amps are used in oscillator circuits to generate periodic waveforms, such as sine waves or square waves.
- **Signal Conditioners:** Op amps can be used to convert and process signals, such as converting analog signals to digital signals or changing the impedance of a signal.

When designing op amp circuits, it is important to consider factors such as:

- **Op Amp Selection:** Choosing the right op amp for the application is crucial to ensure optimal performance.
- **Circuit Topology:** The specific circuit configuration used will impact the op amp's behavior and performance.
- **Component Selection:** The choice of resistors, capacitors, and other components will affect the circuit's characteristics.
- **Layout and Stability:** Proper circuit layout and component placement are essential for stability and minimizing noise.



## Free Download Your Copy Today!

Don't miss out on this opportunity to enhance your analog circuit design skills. Free Download your copy of 'Op Amp Applications Handbook: Analog Devices Series' today and unlock the power of op amps for your next project.

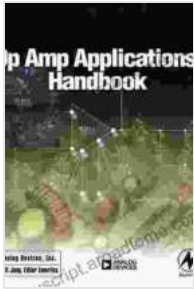
Available in print and digital formats, the handbook can be Free Downloadd from Analog Devices and major booksellers worldwide.

**Don't wait, Free Download your copy now and elevate your analog circuit design capabilities to new heights!**

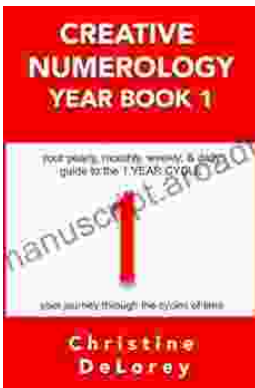
**Op Amp Applications Handbook (Analog Devices Series)** by Walt Jung

★★★★☆ 4 out of 5

Language : English

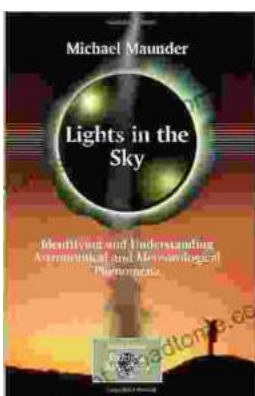


File size : 26838 KB  
Text-to-Speech : Enabled  
Screen Reader : Supported  
Enhanced typesetting : Enabled  
Print length : 896 pages



## Your Yearly Monthly Weekly Daily Guide To The Year Cycle: Unlock the Power of Time and Achieve Your Goals

As we navigate the ever-changing currents of life, it can often feel like we're drifting aimlessly without a clear direction. However, with the right tools and guidance, we...



## Identifying and Understanding Astronomical and Meteorological Phenomena: A Guide to the Wonders of the Universe and Weather

Prepare to embark on an extraordinary expedition into the realm of celestial bodies and atmospheric wonders. "Identifying and Understanding Astronomical and...